

**JUMO GmbH & Co. KG**  
Delivery address: Mackenrodtstraße 14,  
36039 Fulda, Germany  
Postal address: 36035 Fulda, Germany  
Phone: +49 661 6003-0  
Fax: +49 661 6003-607  
e-mail: mail@jumo.net  
Internet: www.jumo.net

**JUMO Instrument Co. Ltd.**  
JUMO House  
Temple Bank, Riverway  
Harlow, Essex CM20 2DY, UK  
Phone: +44 1279 635533  
Fax: +44 1279 635262  
e-mail: sales@jumo.co.uk  
Internet: www.jumo.co.uk

**JUMO Process Control, Inc.**  
8 Technology Boulevard  
Canastota, NY 13031, USA  
Phone: 315-697-JUMO  
1-800-554-JUMO  
Fax: 315-697-5867  
e-mail: info@jumo.us  
Internet: www.jumo.us



## JUMO compensation thermometers

### Brief description

Temperature error can falsify the measurement signal during electrochemical measurements. Compensation thermometers are used to compensate measurement error caused by temperature. Compensation thermometers detect the temperature of the sample. The acquired signal is transferred to the downstream transmitter. In the transmitter, the measurement value is calculated back to the 25°C reference temperature.



Type 201085- ...

### Technical data

<b>Temperature range</b>	0 - 150 °C
<b>Pressure range</b>	with plug cap: unpressurized operation with Pg 13.5 screw cap: 10 bar/25 °C, 1 bar/80 °C with Pg 13.5 M12 screw cap: 10 bar/25 °C, 1 bar/80 °C
<b>Terminal head</b>	plug cap without thread (PPO) or Pg 13.5 screw cap (PPO)
<b>Process connection</b>	no thread or Pg 13.5 thread
<b>Washer</b>	PSU
<b>Seal</b>	FPM70
<b>Shaft material</b>	glass (DIN 19 263)
<b>Active component</b>	Pt100 DIN/IEC class B
<b>Fitting length</b>	120 mm (standard), other fitting lengths on request

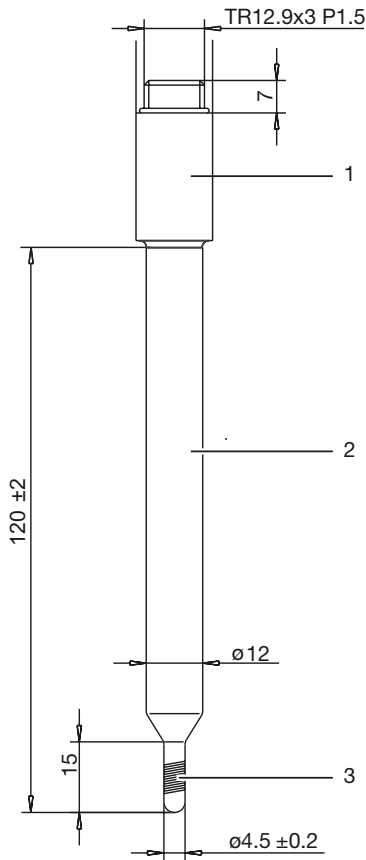
**JUMO GmbH & Co. KG**  
 Delivery address: Mackenrodtstraße 14,  
 36039 Fulda, Germany  
 Postal address: 36035 Fulda, Germany  
 Phone: +49 661 6003-0  
 Fax: +49 661 6003-607  
 e-mail: mail@jumo.net  
 Internet: www.jumo.net

**JUMO Instrument Co. Ltd.**  
 JUMO House  
 Temple Bank, Riverway  
 Harlow, Essex CM20 2DY, UK  
 Phone: +44 1279 635533  
 Fax: +44 1279 635262  
 e-mail: sales@jumo.co.uk  
 Internet: www.jumo.co.uk

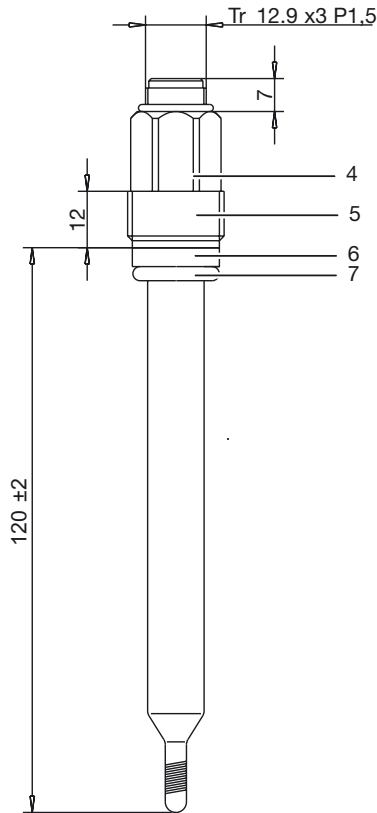
**JUMO Process Control, Inc.**  
 8 Technology Boulevard  
 Canastota, NY 13031, USA  
 Phone: 315-697-JUMO  
 1-800-554-JUMO  
 Fax: 315-697-5867  
 e-mail: info@jumo.us  
 Internet: www.jumo.us



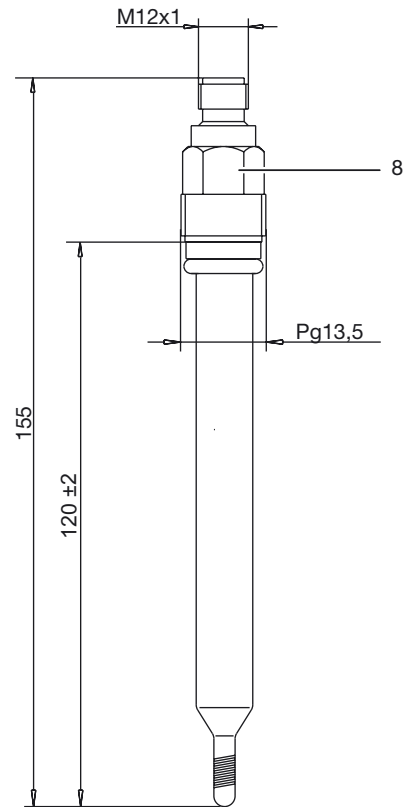
## Dimensions



Plug cap



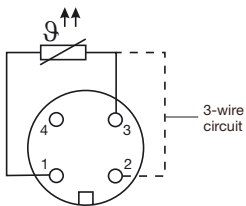
Pg 13.5 screw cap



Pg 13.5 screw cap with M12 connector

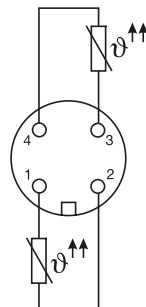
## M12 connector pin assignment

1 x Pt 100/Pt 1000



M12 connector x 1,  
4-pin 713 series

2 x Pt 100



M12 connector x 1,  
4-pin 713 series



M12 socket x 1,  
5-pin 713 series (accessories)

**JUMO GmbH & Co. KG**  
 Delivery address: Mackenrodtstraße 14,  
 36039 Fulda, Germany  
 Postal address: 36035 Fulda, Germany  
 Phone: +49 661 6003-0  
 Fax: +49 661 6003-607  
 e-mail: mail@jumo.net  
 Internet: www.jumo.net

**JUMO Instrument Co. Ltd.**  
 JUMO House  
 Temple Bank, Riverway  
 Harlow, Essex CM20 2DY, UK  
 Phone: +44 1279 635533  
 Fax: +44 1279 635262  
 e-mail: sales@jumo.co.uk  
 Internet: www.jumo.co.uk

**JUMO Process Control, Inc.**  
 8 Technology Boulevard  
 Canastota, NY 13031, USA  
 Phone: 315-697-JUMO  
 1-800-554-JUMO  
 Fax: 315-697-5867  
 e-mail: info@jumo.us  
 Internet: www.jumo.us



**Order details:**

	<b>(1) Basic type</b>	201085	JUMO compensation thermometer
x	<b>(2) Shaft material</b>	89	glass
	<b>(3) Active component</b>		
o		1001	Pt 100 in a 3-wire circuit/class B/0 - 150°C <sup>a</sup>
x		1003	Pt 100 in a 2-wire circuit/class B/0 - 150°C
o		1005	Pt 1000 in a 2-wire circuit/class B/0 - 150°C
o		1006	Pt 1000 in a 3-wire circuit/class B/0 - 150°C <sup>a</sup>
o		2003	twin Pt 100/class B/0 - 150°C <sup>a</sup>
	<b>(4) Connection</b>		
o		21	plug cap
x		22	Pg 13.5 screw cap
o		70	Pg 13.5 screw cap with M12 connector
	<b>(5) Fitting length</b>		
x		120	120 mm (standard) <sup>b</sup>

x = as standard  
 o = option

<sup>a</sup> Only possible in conjunction with connection 70.

<sup>b</sup> Other fitting lengths on request.

<b>Order code</b>	<input type="text" value="(1)"/>	-	<input type="text" value="(2)"/>	-	<input type="text" value="(3)"/>	-	<input type="text" value="(4)"/>	-	<input type="text" value="(5)"/>
<b>Order example</b>	201085	-	89	-	1003	-	22	-	120

**Note:**

The order code is a type designation, not a modular system.

If possible, choose items listed under "stock versions" or "production versions" for your orders.

We will have to technically inspect and approve a free combination of individual key features.

In case of doubt, please ask.

**Stock version**

(delivery 3 working days after receipt of order)

<b>Type</b>	201085-89-1003-22-120	<b>Brief description</b>	Compensation thermometer, Pt 100, Pg 13.5 screw cap, 120 mm	<b>Sales no.</b>	20/00300443
-------------	-----------------------	--------------------------	---	------------------	-------------

**Production version**

(delivery 10 working days after receipt of order)

<b>Type</b>	201085-89-1003-70-120	<b>Brief description</b>	Compensation thermometer, Pt 100, Pg 13.5 screw cap with M12 connector, 120 mm	<b>Sales no.</b>	20/00492092
	201085-89-1003-70-120	<b>Brief description</b>	Compensation thermometer, Pt 100, Plug cap, 120 mm	<b>Sales no.</b>	20/00300442

**Accessories**

<b>Type</b>	M12 socket x 1	<b>Brief description</b>	5-pin M12 socket; in conjunction with connection 70 (Pg 13.5 screw cap with M12 connector)	<b>Sales no.</b>	20/00458581
-------------	----------------	--------------------------	--	------------------	-------------