

JUMO GmbH & Co. KG
Delivery address: Mackenrodtstraße 14,
36039 Fulda, Germany
Postal address: 36035 Fulda, Germany
Phone: +49 661 6003-0
Fax: +49 661 6003-607
E-mail: mail@jumo.net
Internet: www.jumo.net

JUMO Instrument Co. Ltd.
JUMO House
Temple Bank, Riverway
Harlow - Essex CM20 2DY, UK
Phone: +44 1279 63 55 33
Fax: +44 1279 63 52 62
E-mail: sales@jumo.co.uk
Internet: www.jumo.co.uk

JUMO Process Control, Inc.
8 Technology Boulevard
Canastota, NY 13032, USA
Phone: 315-697-JUMO
1-800-554-JUMO
Fax: 315-697-5867
E-mail: info@jumo.us
Internet: www.jumo.us



Simulators and Calibration Adapters for pH, Redox and Conductivity Measurement

Brief description

Simulators and calibration adapters are used to start up, adjust, monitor and troubleshoot pH, redox and conductivity measuring points.

Simulator for pH/redox, type 202711/10

The pH simulator is used to check that technical pH and redox measuring instruments are working correctly. Instead of a conventional pH or redox electrode, the simulator is connected to a measurement amplifier. This allows the laid connecting cable and the measurement amplifier to be checked. The simulation of pH values 0 - 14 allows the measurement amplifier outputs (display values, control contacts or analog/digital outputs) to be checked and optimized when the system is dry. Using the simulator with redox measurements simulates a voltage of ± 414 mV in steps of up to 59 mV.

A switch allows high-resistance checking (1000 MOhm impedance) of the laid connecting cable for shunts or moisture problems. The pH simulator runs on a 9 V battery (included in delivery). There is an integrated test function for checking the battery. Different adapter cables are available as options (see accessories) for connecting to the pH or redox measurement section.



Type 202711/10

Simulator for electrolytic conductivity, type 202711/20

This simulator is used to check measurement amplifiers and connecting cables for electrolytic conductivity. Different conductivity measurement values can also be simulated to test and optimize display and control behavior, as well as the outputs of measurement amplifiers and downstream systems. The instrument is therefore helpful during dry system startups and when troubleshooting. The simulator can only be used with conductivity measuring instruments based on conductive 2-electrode measuring cells. A printed table shows the conductivity values for the different simulation resistances, which are selected by means of a rotary switch. The table includes the assignment to different cell constants ($K = 0.01; 0.1; 1.0; 3.0$ and 10.0). The temperature input of a measuring instrument can be simulated, as well as the conductivity. To do this, a Pt100 is simulated at temperatures of 25 °C and 75 °C. A 1.1 m long connecting cable is included.



Type 202711/20

Calibration adapter for inductive conductivity measurement, type 202711/21

This adapter allows the adjustment between the measurement amplifier and the inductive conductivity measurement probe to be made during a new installation or when a component has been replaced. The instrument is designed for use with measurement amplifiers JUMO AQUIS 500 Ci as per data sheet 20.2566 and measuring cells as per data sheet 20.2941.



Type 202711/21

JUMO GmbH & Co. KG
 Delivery address: Mackenrodtstraße 14,
 36039 Fulda, Germany
 Postal address: 36035 Fulda, Germany
 Phone: +49 661 6003-0
 Fax: +49 661 6003-607
 E-mail: mail@jumo.net
 Internet: www.jumo.net

JUMO Instrument Co. Ltd.
 JUMO House
 Temple Bank, Riverway
 Harlow - Essex CM20 2DY, UK
 Phone: +44 1279 63 55 33
 Fax: +44 1279 63 52 62
 E-mail: sales@jumo.co.uk
 Internet: www.jumo.co.uk

JUMO Process Control, Inc.
 8 Technology Boulevard
 Canastota, NY 13032, USA
 Phone: 315-697-JUMO
 1-800-554-JUMO
 Fax: 315-697-5867
 E-mail: info@jumo.us
 Internet: www.jumo.us



Technical data

Simulator for pH/redox, type 202711/10

Simulation range	0 to 14 pH in 1 pH steps and +414 mV to -414 mV redox voltage in 59 mV steps
Accuracy	± 1 % of the set pH value
Reference temperature	25 °C
Output resistance	1 kΩ or 1000 MΩ, depending on the switch setting
Power supply	ANSI 1604D PP3 (9 V monobloc battery), included in delivery
Battery test	integrated
1000-MΩ circuit	for testing pH cables
Connection	BNC socket and socket for reference electrode
Permissible ambient temperature	0 to 50 °C
Housing	aluminum
Dimensions	130.5 mm x 73 mm x 59 mm (H x W x D)

Simulator for electrolytic conductivity, type 202711/20

Simulation range for cell constant K=0.01 to 10.0 The conversion table is located on the base of the instrument housing. K = cell constant [1/cm] R = resistance [ohms]	in steps form 2 μS/cm to approx. 800 mS/cm					
	R/K	0.01	0.1	1.0	3.0	10.0
	12,5 Ω	800 μS	8 mS	80 mS	240 mS	800 mS
	25 Ω	400 μS	4 mS	40 mS	120 mS	400 mS
	50 Ω	200 μS	2 mS	20 mS	60 mS	200 mS
	125 Ω	80 μS	800 μS	8 mS	24 mS	80 mS
	250 Ω	40 μS	400 μS	4 mS	12 mS	40 mS
	500 Ω	20 μS	200 μS	2 mS	6 mS	20 mS
	1200 Ω	8 μS	80 μS	800 μS	2,4 mS	8 mS
	2500 Ω	4 μS	40 μS	400 μS	1,2 mS	4 mS
	5000 Ω	2 μS	20 μS	200 μS	600 μS	2 mS
	12,5 kΩ	800 nS	8 μS	80 μS	240 μS	800 μS
	25 kΩ	400 nS	4 μS	40 μS	120 μS	400 μS
	50 kΩ	200 nS	2 μS	20 μS	60 μS	200 μS
	125 kΩ	80 nS	800 nS	8 μS	24 μS	80 μS
Accuracy	± 1 % of the set resistance value					
Pt100 simulation	25 °C and 75 °C ± 1 °C					
Connection	5-pin diode socket; one open-ended connecting cable (length 1.1 m) is included with the instrument					
Permissible ambient temperature	0 to 50 °C					
Housing	aluminum					
Dimensions	130.5 mm x 73 mm x 59 mm (H x W x D)					

JUMO GmbH & Co. KG
 Delivery address: Mackenrodtstraße 14,
 36039 Fulda, Germany
 Postal address: 36035 Fulda, Germany
 Phone: +49 661 6003-0
 Fax: +49 661 6003-607
 E-mail: mail@jumo.net
 Internet: www.jumo.net

JUMO Instrument Co. Ltd.
 JUMO House
 Temple Bank, Riverway
 Harlow - Essex CM20 2DY, UK
 Phone: +44 1279 63 55 33
 Fax: +44 1279 63 52 62
 E-mail: sales@jumo.co.uk
 Internet: www.jumo.co.uk

JUMO Process Control, Inc.
 8 Technology Boulevard
 Canastota, NY 13032, USA
 Phone: 315-697-JUMO
 1-800-554-JUMO
 Fax: 315-697-5867
 E-mail: info@jumo.us
 Internet: www.jumo.us



Calibration adapter for inductive conductivity measurement, type 202711/21

Simulation range	Cell constant K	
	4 to 5.9 [1/cm]	6 to 8 [1/cm]
	R [ohms]	R [ohms]
1000 µS/cm	20 k	25 k
10.00 mS/cm	2 k	2.5 k
100.0 mS/cm	200	250
1000 mS/cm	20	25
2000 mS/cm	10	12.5
Accuracy	1000 µS/cm to 100.0 mS/cm ± 1 %	
	1000 µS/cm to 2000 mS/cm ± 1.5 %	
Connection	Measuring lead with 2 mm plug, approx. 36 cm long	
	Measuring lead with 2 mm socket, approx. 18 cm long	
Conductivity simulation	Loop measuring lead with 2 mm plug through the probe twice, and plug it into the measuring lead with 2 mm socket.	
Conductivity calculation	$L_f = K \cdot N^2 / R$	
	L _f = conductivity value	
	K = cell constant	
	N = number of conductor loops through the probe	
	R = resistance	
Housing	PC polycarbonate	
Dimensions	103 mm x 52 mm x 59 mm (H x W x D)	

JUMO GmbH & Co. KG
 Delivery address: Mackenrodtstraße 14,
 36039 Fulda, Germany
 Postal address: 36035 Fulda, Germany
 Phone: +49 661 6003-0
 Fax: +49 661 6003-607
 E-mail: mail@jumo.net
 Internet: www.jumo.net

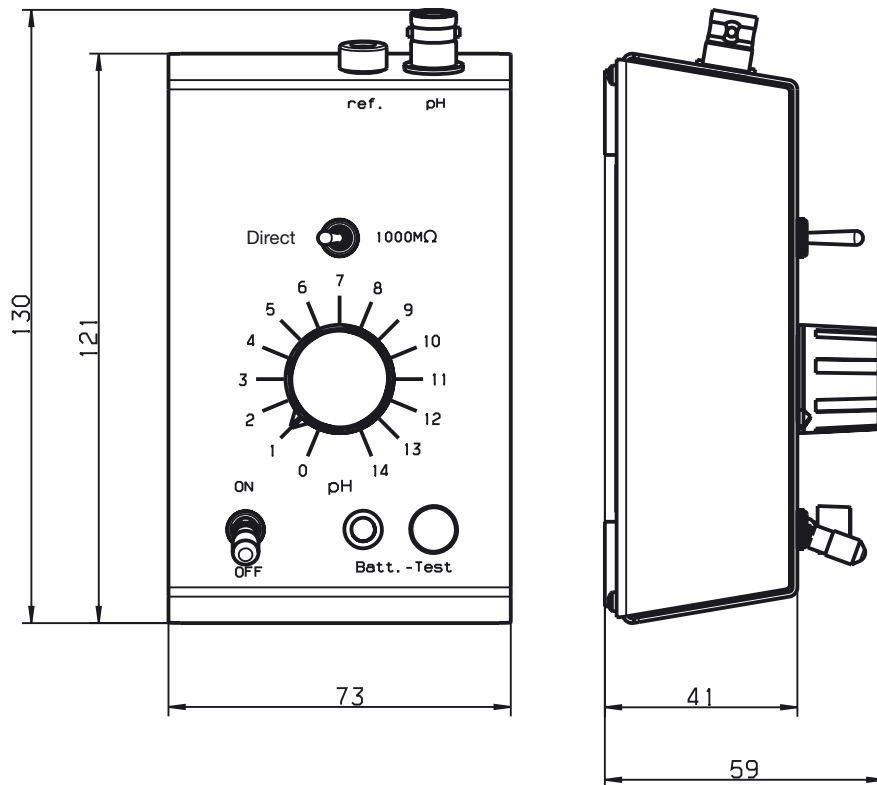
JUMO Instrument Co. Ltd.
 JUMO House
 Temple Bank, Riverway
 Harlow - Essex CM20 2DY, UK
 Phone: +44 1279 63 55 33
 Fax: +44 1279 63 52 62
 E-mail: sales@jumo.co.uk
 Internet: www.jumo.co.uk

JUMO Process Control, Inc.
 8 Technology Boulevard
 Canastota, NY 13032, USA
 Phone: 315-697-JUMO
 Fax: 1-800-554-JUMO
 Fax: 315-697-5867
 E-mail: info@jumo.us
 Internet: www.jumo.us

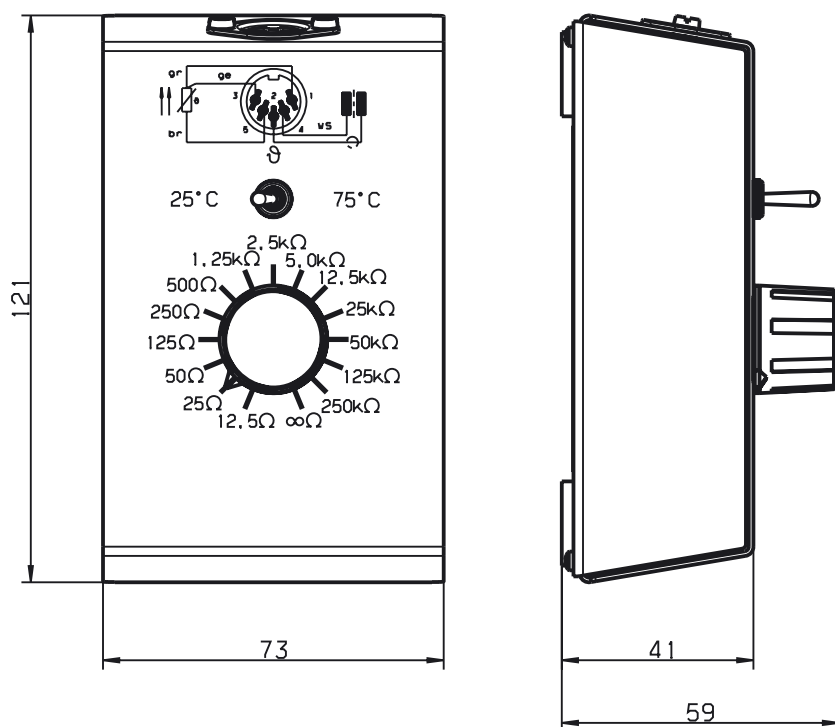


Dimensions

Simulator for pH/redox, type 202711/10



Simulator for electrolytic conductivity, type 202711/20



JUMO GmbH & Co. KG
Delivery address: Mackenrodtstraße 14,
36039 Fulda, Germany
Postal address: 36035 Fulda, Germany
Phone: +49 661 6003-0
Fax: +49 661 6003-607
E-mail: mail@jumo.net
Internet: www.jumo.net

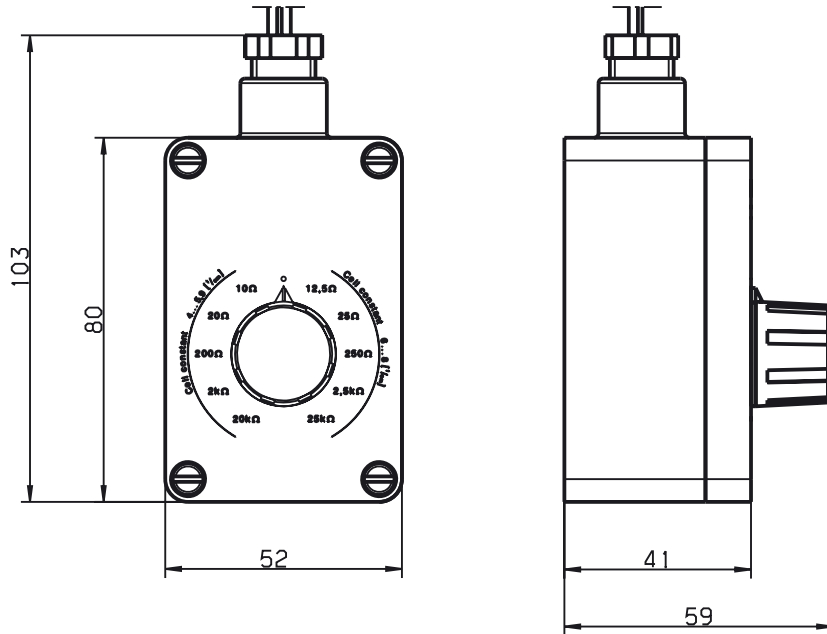
JUMO Instrument Co. Ltd.
JUMO House
Temple Bank, Riverway
Harlow - Essex CM20 2DY, UK
Phone: +44 1279 63 55 33
Fax: +44 1279 63 52 62
E-mail: sales@jumo.co.uk
Internet: www.jumo.co.uk

JUMO Process Control, Inc.
8 Technology Boulevard
Canastota, NY 13032, USA
Phone: 315-697-JUMO
1-800-554-JUMO
Fax: 315-697-5867
E-mail: info@jumo.us
Internet: www.jumo.us



Dimensions

Calibration adapter for inductive conductivity measurement, type 202711/21



JUMO GmbH & Co. KG

Delivery address: Mackenrodtstraße 14,
36039 Fulda, Germany
Postal address: 36035 Fulda, Germany
Phone: +49 661 6003-0
Fax: +49 661 6003-607
E-mail: mail@jumo.net
Internet: www.jumo.net

JUMO Instrument Co. Ltd.

JUMO House
Temple Bank, Riverway
Harlow - Essex CM20 2DY, UK
Phone: +44 1279 63 55 33
Fax: +44 1279 63 52 62
E-mail: sales@jumo.co.uk
Internet: www.jumo.co.uk

JUMO Process Control, Inc.

8 Technology Boulevard
Canastota, NY 13032, USA
Phone: 315-697-JUMO
1-800-554-JUMO
Fax: 315-697-5867
E-mail: info@jumo.us
Internet: www.jumo.us



Order details

(1) Basic type

202711	Simulators and calibration adapters
--------	-------------------------------------

(2) Version

- | | |
|----|-------------------------------------------------------------------------------|
| 10 | Simulator for pH/redox |
| 20 | Simulator for electrolytic conductivity (conductive, 2-electrode measurement) |
| 21 | Calibration adapter for inductive conductivity |

Order code	<input type="text" value="(1)"/>	/	<input type="text" value="(2)"/>
Order example	202711	/	10

Stock versions (delivery 3 working days after receipt of order)

Order code	Sales No.
202711/10	20/00300477
202711/20	20/00300478
202711/21	20/00543395

Accessories (delivery 3 working days after receipt of order)

Article	Sales No.
Connecting cable for pH simulator 202711/10 BNC plug to BNC plug, length 1.1 m for testing measuring instruments with a BNC socket as the pH input	20/00082906
Connecting cable for pH simulator 202711/10 BNC plug to Shield-Kon® (cable with core-end ferrule), length 1.1 m for testing measuring instruments with screw terminals as the pH input	20/00513412
Connecting cable for pH simulator 202711/10 BNC plug to N plug, length 1.5 m for testing the pH measurement section from the electrode head (for standard electrodes with an N/S7/S8 plug cap); Not suitable for electrodes with integrated temperature sensors!	20/00082908